

GML-120 Magnetic Touch Latch

Features

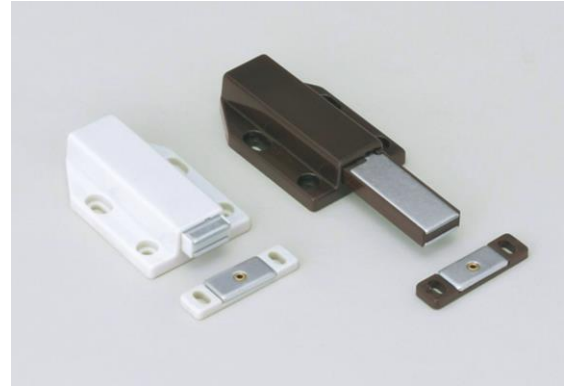
- Push to open/close
- Large stroke, suitable even for heavy doors or large doors (tested with W600 × H1800 × t30 door)
- When closing, magnet will catch the door with a light push
- Counter plate is movable
- For overlay door, leave a space between side board and door as shown below

Notes

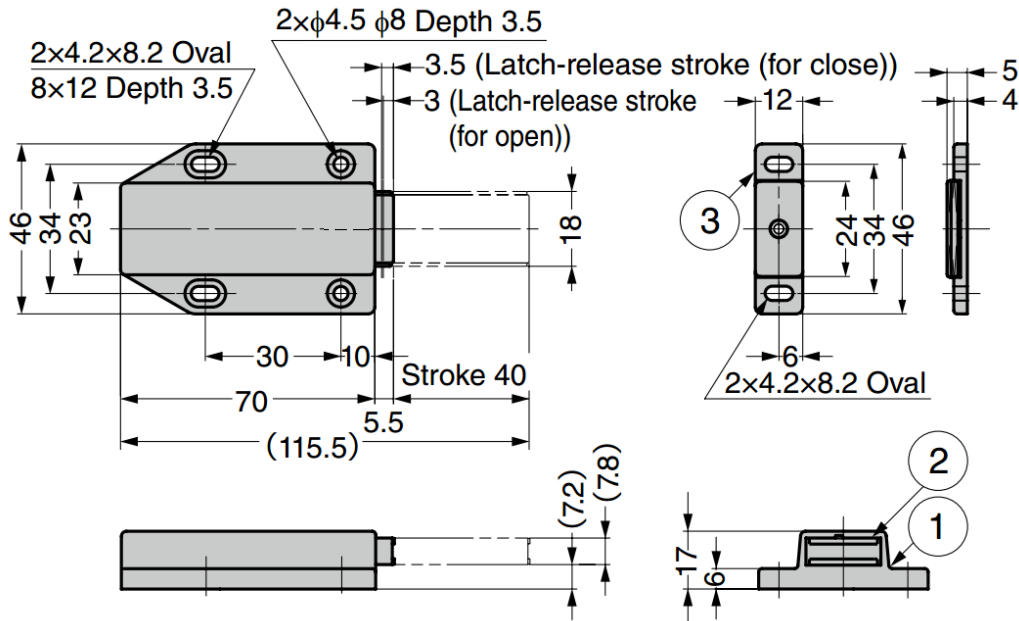
- Use hinges without catch
- Do not use as a door stopper, excessive force may cause damage

Parts Included

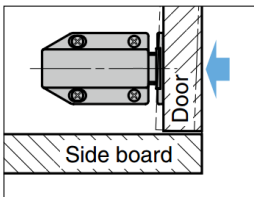
- Counter plate
- Countersunk head tapping screw 4×16



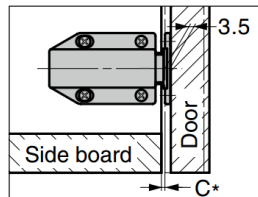
No.	Part Name	Material	Finish / Colour
①	Body	ABS	Brown, White
②	Yoke	Steel (SPCC)	Coloured Zinc Chromate
③	Counter Plate	ABS/Steel (SPCC)	Brown, White/Zinc Chromate



Inset Door



Overlay Door



* without including thickness of mounting plate.

To ensure a push-in allowance of 3.5mm or above in the latch part as shown, please leave a clearance C between door and side board. (Sponge rubber, PVC packing may be used in the gap for good appearance and dust removal).

Part No.	Colour	Magnetic Force	
GML-120BR	Brown	23.5 N	2.4 kg
GML-120W	White		